

4

3

2

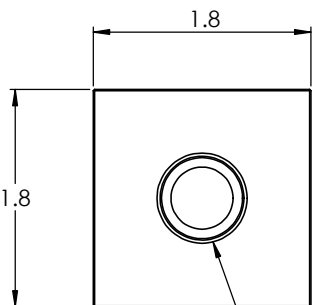
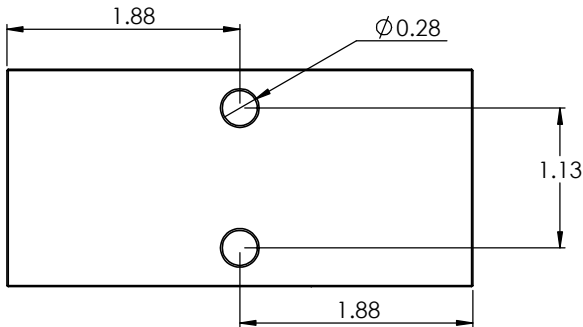
1

B

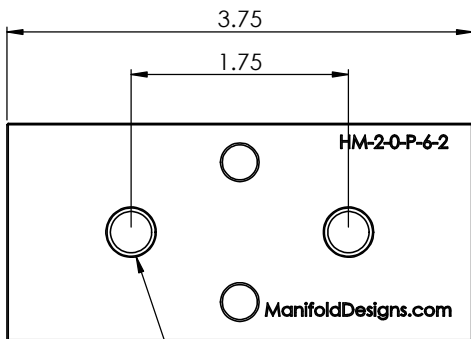
B

A

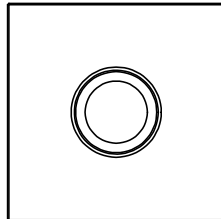
A



3/8 NPT Both Ends



1/8 NPT TYP Face



**PROPRIETARY AND CONFIDENTIAL**  
 THE INFORMATION CONTAINED IN THIS DRAWING IS THE SOLE PROPERTY OF <INSERT COMPANY NAME HERE>. ANY REPRODUCTION IN PART OR AS A WHOLE WITHOUT THE WRITTEN PERMISSION OF <INSERT COMPANY NAME HERE> IS PROHIBITED.

		UNLESS OTHERWISE SPECIFIED:	NAME	DATE	TITLE: <b>Header Manifold</b>
		DIMENSIONS ARE IN INCHES	DRAWN		
		TOLERANCES: FRACTIONAL ±	CHECKED		
		ANGULAR: MACH ± BEND ± TWO PLACE DECIMAL ± THREE PLACE DECIMAL ±	ENG APPR.		
		INTERPRET GEOMETRIC TOLERANCING PER:	MFG APPR.		Q.A.
		MATERIAL	COMMENTS:		SIZE
		6061			DWG. NO.
		FINISH			REV
		Black Anodize			<b>B</b> HM-2-0-P-6-2
NEXT ASSY	USED ON	APPLICATION	DO NOT SCALE DRAWING		SCALE: 1:1
					WEIGHT:
					SHEET 1 OF 1

4

3

2

1