

4

3

2

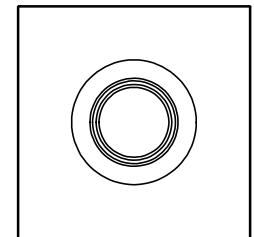
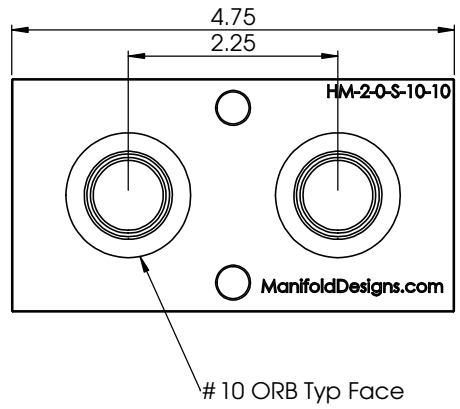
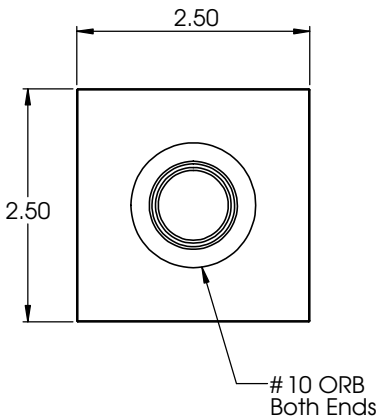
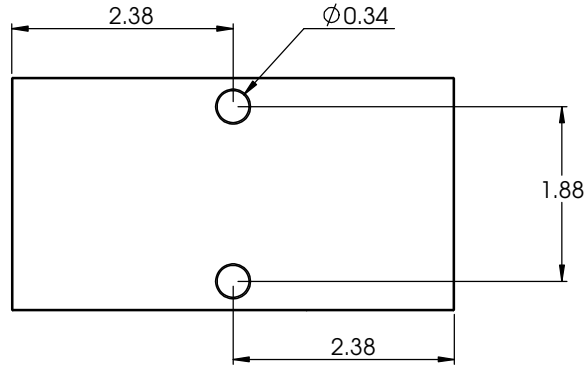
1

B

B

A

A



PROPRIETARY AND CONFIDENTIAL
 THE INFORMATION CONTAINED IN THIS DRAWING IS THE SOLE PROPERTY OF <INSERT COMPANY NAME HERE>. ANY REPRODUCTION IN PART OR AS A WHOLE WITHOUT THE WRITTEN PERMISSION OF <INSERT COMPANY NAME HERE> IS PROHIBITED.

| | | | | | |
|-------------|---------|--------------------------------------|-----------|------|--|
| | | UNLESS OTHERWISE SPECIFIED: | NAME | DATE | TITLE: Header Manifold |
| | | DIMENSIONS ARE IN INCHES | DRAWN | | |
| | | TOLERANCES: | CHECKED | | |
| | | FRACTIONAL: ± | ENG APPR. | | |
| | | ANGULAR: MACH ± BEND ± | MFG APPR. | | SIZE DWG. NO. REV B HM-2-0-S-10-10 |
| | | TWO PLACE DECIMAL ± | Q.A. | | |
| | | THREE PLACE DECIMAL ± | COMMENTS: | | SCALE: 1:1 WEIGHT: SHEET 1 OF 1 |
| | | INTERPRET GEOMETRIC TOLERANCING PER: | | | |
| NEXT ASSY | USED ON | MATERIAL | | | |
| | | 6061 | | | |
| APPLICATION | | FINISH | | | |
| | | Black Anodize | | | |
| | | DO NOT SCALE DRAWING | | | |

4

3

2

1