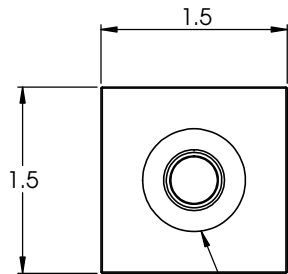


4

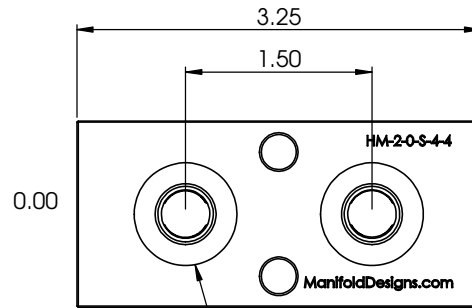
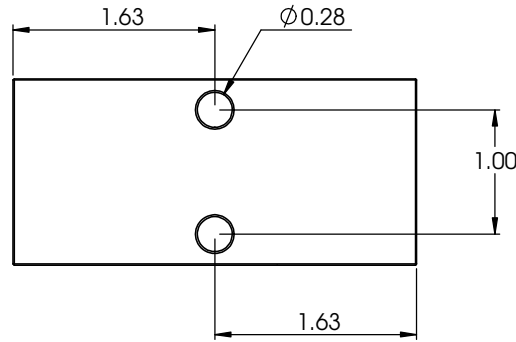
3

2

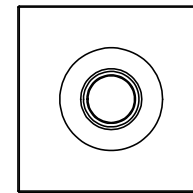
1



#4 ORB  
Both Ends



#4 ORB Typ Face



Manifold Design & Production Inc.

**PROPRIETARY AND CONFIDENTIAL**

THE INFORMATION CONTAINED IN THIS DRAWING IS THE SOLE PROPERTY OF <INSERT COMPANY NAME HERE>. ANY REPRODUCTION IN PART OR AS A WHOLE WITHOUT THE WRITTEN PERMISSION OF <INSERT COMPANY NAME HERE> IS PROHIBITED.

		UNLESS OTHERWISE SPECIFIED:	NAME	DATE	TITLE: <b>Header Manifold</b>
		DIMENSIONS ARE IN INCHES TOLERANCES: FRACTIONAL ± ANGULAR: MACH ± BEND ± TWO PLACE DECIMAL ± THREE PLACE DECIMAL ±	DRAWN		
		INTERPRET GEOMETRIC TOLERANCING PER:	CHECKED		
		MATERIAL <b>6061</b>	ENG APPR.		
NEXT ASSY	USED ON	FINISH <b>Black Anodize</b>	MFG APPR.		SIZE <b>B</b>
APPLICATION		DO NOT SCALE DRAWING	Q.A.		DWG. NO. <b>HM-2-0-S-4-4</b>
			COMMENTS:		REV
					SCALE: 1:1 WEIGHT:
					SHEET 1 OF 1

4

3

2

1

B

B

A

A