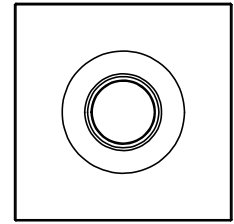
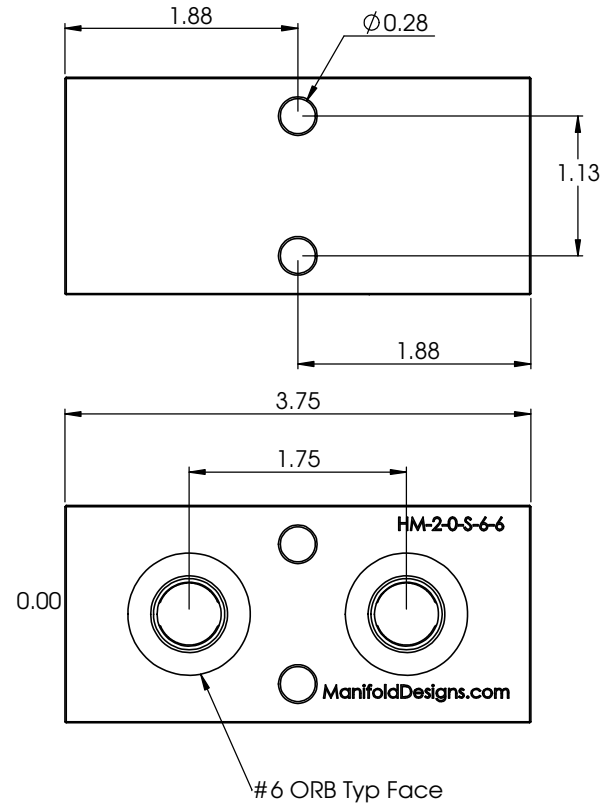
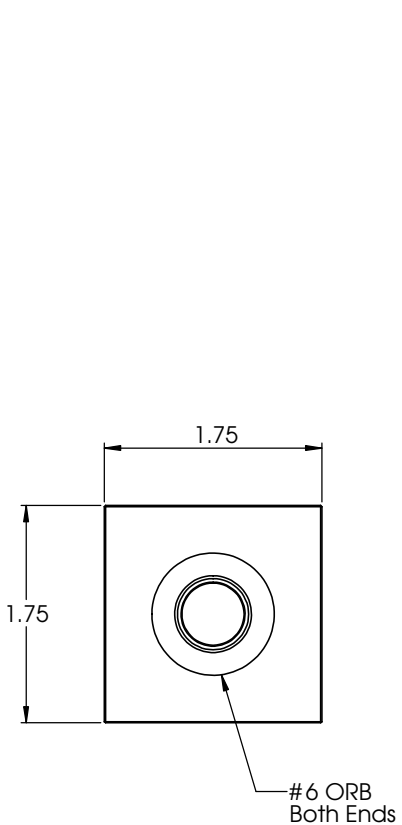


4

3

2

1



PROPRIETARY AND CONFIDENTIAL
 THE INFORMATION CONTAINED IN THIS DRAWING IS THE SOLE PROPERTY OF <INSERT COMPANY NAME HERE>. ANY REPRODUCTION IN PART OR AS A WHOLE WITHOUT THE WRITTEN PERMISSION OF <INSERT COMPANY NAME HERE> IS PROHIBITED.

		UNLESS OTHERWISE SPECIFIED:	NAME	DATE	TITLE: Header Manifold
		DIMENSIONS ARE IN INCHES TOLERANCES: FRACTIONAL: \pm ANGULAR: MACH \pm BEND \pm TWO PLACE DECIMAL \pm THREE PLACE DECIMAL \pm	DRAWN		
		INTERPRET GEOMETRIC TOLERANCING PER:	CHECKED		
		MATERIAL 6061	ENG APPR.		
		FINISH Black Anodize	MFG APPR.		
NEXT ASSY	USED ON	APPLICATION	COMMENTS:		SIZE B
		DO NOT SCALE DRAWING			DWG. NO. HM-2-0-S-6-6
					REV
			SCALE: 1:1 WEIGHT:		SHEET 1 OF 1

4

3

2

1

B

B

A

A