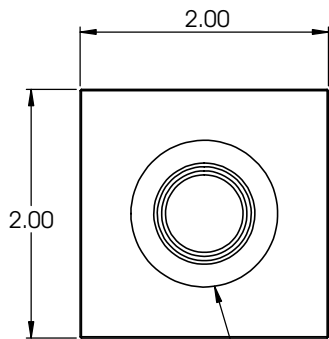


4

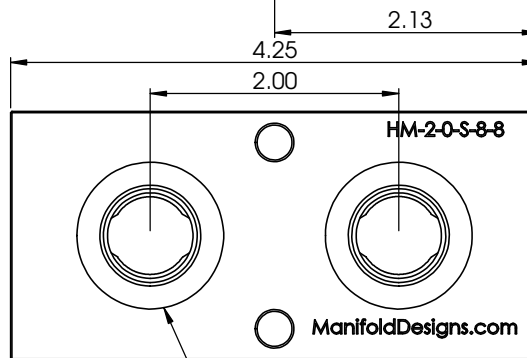
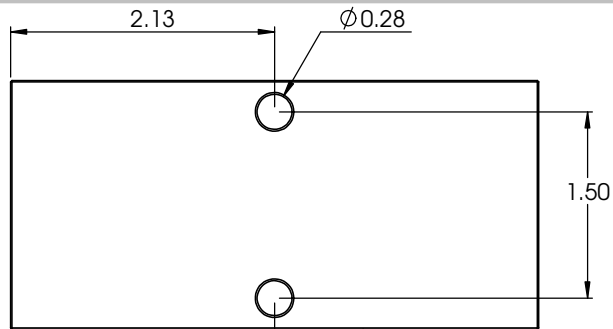
3

2

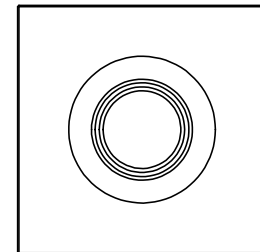
1



#8 ORB
Both Ends



#8 ORB Typ Face



PROPRIETARY AND CONFIDENTIAL
 THE INFORMATION CONTAINED IN THIS DRAWING IS THE SOLE PROPERTY OF <INSERT COMPANY NAME HERE>. ANY REPRODUCTION IN PART OR AS A WHOLE WITHOUT THE WRITTEN PERMISSION OF <INSERT COMPANY NAME HERE> IS PROHIBITED.

		UNLESS OTHERWISE SPECIFIED:	NAME	DATE	TITLE: Header Manifold
		DIMENSIONS ARE IN INCHES	DRAWN		
		TOLERANCES:	CHECKED		
		FRACTIONAL: ±	ENG APPR.		
		ANGULAR: MACH ± BEND ±	MFG APPR.		REV
		TWO PLACE DECIMAL ±	Q.A.		
		THREE PLACE DECIMAL ±	COMMENTS:		
		INTERPRET GEOMETRIC TOLERANCING PER:			SIZE DWG. NO.
		MATERIAL			B HM-2-0-S-8-8
NEXT ASSY	USED ON	FINISH			SCALE: 1:1 WEIGHT:
		Black Anodize			SHEET 1 OF 1
APPLICATION		DO NOT SCALE DRAWING			

4

3

2

1

B

B

A

A