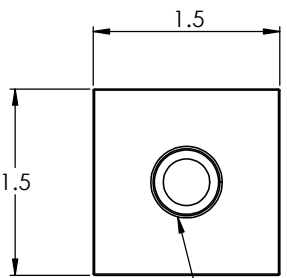
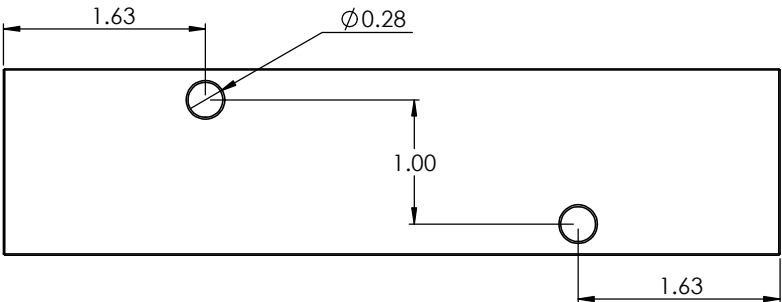


4

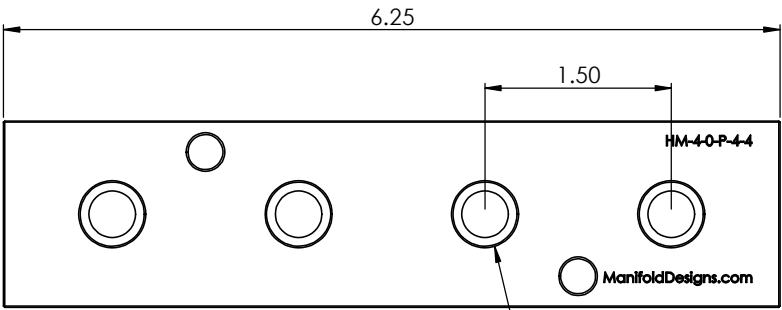
3

2

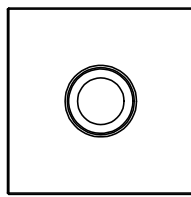
1



1/4 NPT Both Ends



1/4 NPT Typ Face



**PROPRIETARY AND CONFIDENTIAL**  
 THE INFORMATION CONTAINED IN THIS DRAWING IS THE SOLE PROPERTY OF <INSERT COMPANY NAME HERE>. ANY REPRODUCTION IN PART OR AS A WHOLE WITHOUT THE WRITTEN PERMISSION OF <INSERT COMPANY NAME HERE> IS PROHIBITED.

		UNLESS OTHERWISE SPECIFIED:	NAME	DATE	TITLE: <b>Header Manifold</b>
		DIMENSIONS ARE IN INCHES	DRAWN		
		TOLERANCES: FRACTIONAL ±	CHECKED		
		ANGULAR: MACH ± BEND ± TWO PLACE DECIMAL ± THREE PLACE DECIMAL ±	ENG APPR.		
		INTERPRET GEOMETRIC TOLERANCING PER:	MFG APPR.		Q.A.
		MATERIAL	COMMENTS:		
		6061			SIZE DWG. NO. REV
NEXT ASSY	USED ON	FINISH			<b>B</b> HM-4-0-P-4-4
APPLICATION		DO NOT SCALE DRAWING			SCALE: 1:1 WEIGHT: SHEET 1 OF 1

4

3

2

1

B

B

A

A