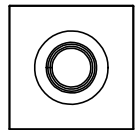
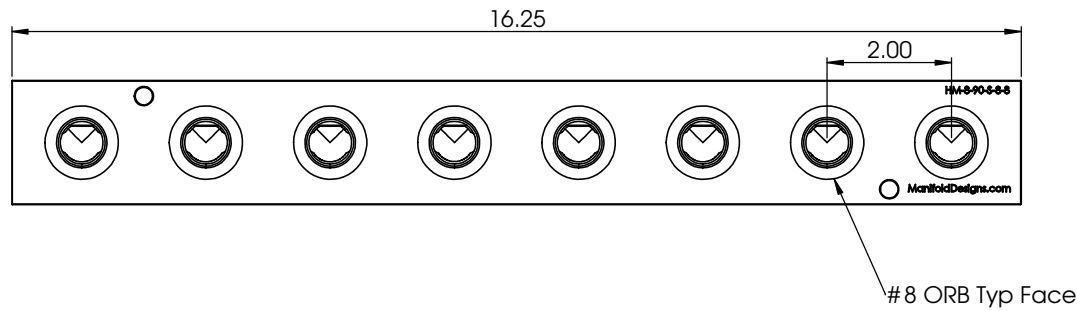
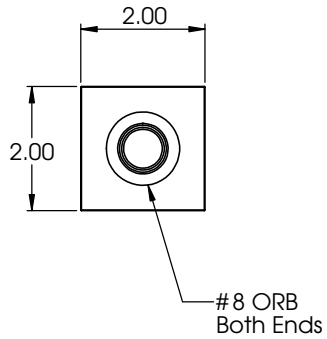
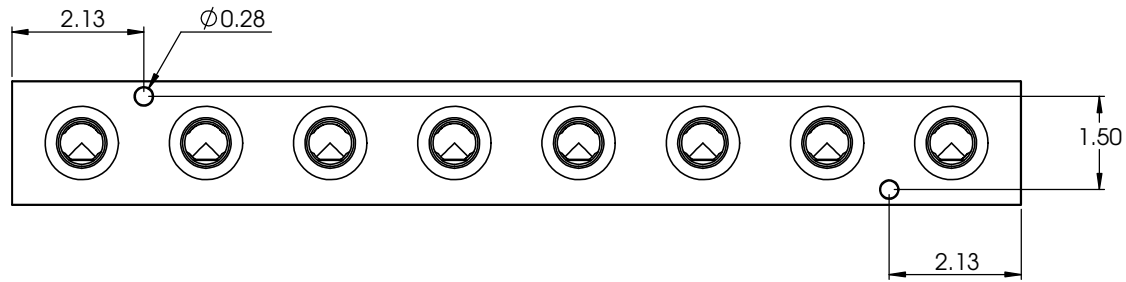


4

3

2

1



**PROPRIETARY AND CONFIDENTIAL**  
 THE INFORMATION CONTAINED IN THIS DRAWING IS THE SOLE PROPERTY OF <INSERT COMPANY NAME HERE>. ANY REPRODUCTION IN PART OR AS A WHOLE WITHOUT THE WRITTEN PERMISSION OF <INSERT COMPANY NAME HERE> IS PROHIBITED.

		UNLESS OTHERWISE SPECIFIED:		NAME	DATE
		DIMENSIONS ARE IN INCHES TOLERANCES: FRACTIONAL: ± ANGULAR: MACH ± BEND ± TWO PLACE DECIMAL ± THREE PLACE DECIMAL ±		DRAWN	
		INTERPRET GEOMETRIC TOLERANCING PER:		CHECKED	
		MATERIAL		ENG APPR.	
		6061		MFG APPR.	
		FINISH		Q.A.	
		Black Anodize		COMMENTS:	
NEXT ASSY	USED ON			TITLE: Header Manifold	
APPLICATION		DO NOT SCALE DRAWING		SIZE	DWG. NO.
				<b>B</b>	HM-8-90-S-8-8
				SCALE: 1:1	WEIGHT:
				SHEET 1 OF 1	

4

3

2

1