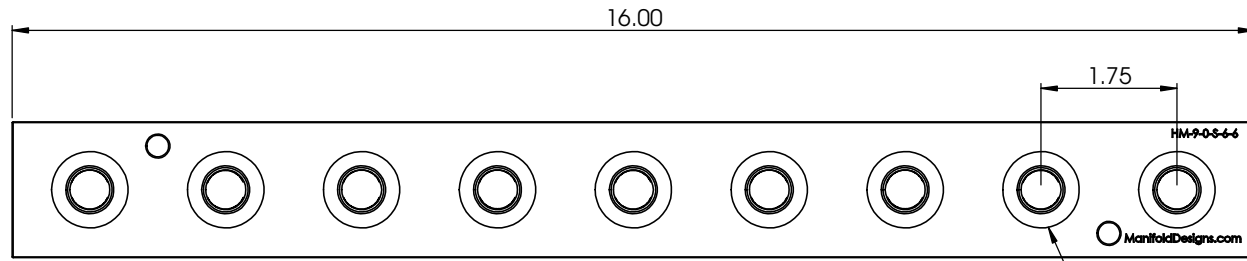
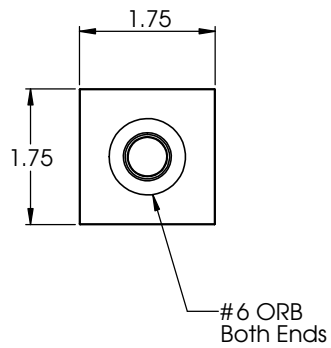
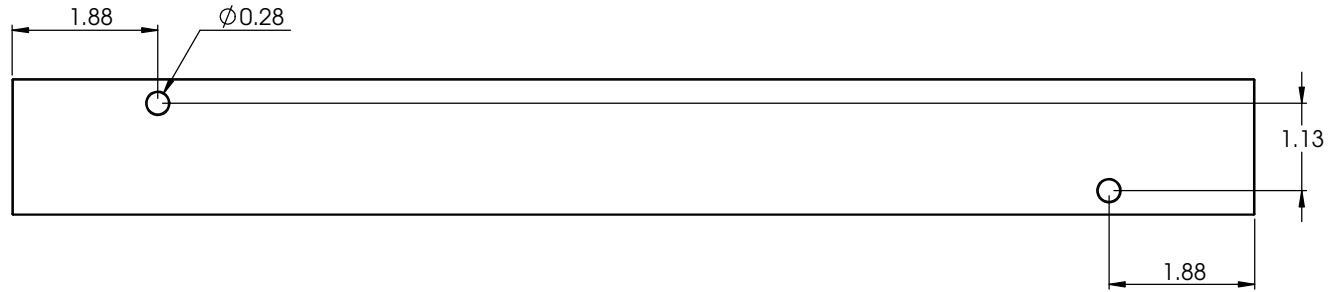


4

3

2

1



#6 ORB Typ Face



PROPRIETARY AND CONFIDENTIAL
 THE INFORMATION CONTAINED IN THIS DRAWING IS THE SOLE PROPERTY OF <INSERT COMPANY NAME HERE>. ANY REPRODUCTION IN PART OR AS A WHOLE WITHOUT THE WRITTEN PERMISSION OF <INSERT COMPANY NAME HERE> IS PROHIBITED.

| | | | | | |
|-------------|---------|---|-----------|------|----------------------------------|
| | | UNLESS OTHERWISE SPECIFIED: | NAME | DATE | TITLE: Header Manifold |
| | | DIMENSIONS ARE IN INCHES TOLERANCES: FRACTIONAL ± ANGULAR: MACH ± BEND ± TWO PLACE DECIMAL ± THREE PLACE DECIMAL ± | DRAWN | | |
| | | INTERPRET GEOMETRIC TOLERANCING PER: | CHECKED | | |
| | | MATERIAL 6061 | ENG APPR. | | |
| NEXT ASSY | USED ON | FINISH Black Anodize | MFG APPR. | | SIZE B |
| APPLICATION | | DO NOT SCALE DRAWING | Q.A. | | DWG. NO. HM-9-0-S-6-6 |
| | | | COMMENTS: | | REV |
| | | | | | SCALE: 1:1 WEIGHT: |
| | | | | | SHEET 1 OF 1 |

4

3

2

1